

TECHNICAL DATA SHEET

RADIAL FAN nr. AFGG-20_07



G&G filtration CZ, s.r.o.

A Hrubínova 1903/9, 66451 Šlapanice, CZ
 IČ 05226953 IČ DPH CZ05226953
 E info@ggf.cz W www.ggf.cz

ITEM1

Document printed by Aeraulica - Dimensions and performances can be changed without prior notice

| Type and characteristics of the requested machine | | | | performance on | | Outlet | | |
|--|-------------------|--|---------|--|--|------------------|--------------|---|
| Flow rate | 3600 [m3/h] | Capacity (Normal) | | | | 3354 [Nm3/h] | | |
| Total pressure | 2000 [Pa] | Static pressure | | | | | | |
| Working fluid temperature | 20 [°C] | Fluid specific weight | | | | 1.204 [Kg/m3] | | |
| Installation altitude | 0 asl [m] | Specific weight std (20 [°C], 0 asl [m]) | | | | 1.204 [Kg/m3] | | |
| Suggested model and effective characteristics | | | | performance on | | Outlet | | |
| Model | RM 400R/2-I | Execution | E04 | Installation Type | A (free inlet and outlet) | | | |
| Fluid specific weight | 1.204 | 1.204 [Kg/m3] | | Revolution fan speed | | 2940 | [rpm] | |
| Total pressure | 2196 | 2196 [Pa] | | Orientation | | RD 0 | | |
| Static pressure | 2085 | 2085 [Pa] | | Sound power LwA | | 98.75 | [dB(A)] | |
| Flow rate | 3600 | 3600 [m3/h] | | Sound pressure at mt.1.5 1/2 sf in open field | | 85.45 | [dB(A)] | |
| Capacity (Normal) | 3354 | 3354 [Nm3/h] | | Pipings | s>3mm = +3dB; 1mm<s<3mm = +4,5dB; s<1mm = +6dB | | | |
| Power dem. at shaft | 2.809 | 2.809 [kW] | | Fan efficiency | Outlet | 78.17 | % | |
| Motor power demand | 2.809 | 2.809 [kW] | | | | | | |
| Characteristics of chosen motor | | | | Motor efficiency IEC 60034-30 | | | IE3 | |
| Code | 100L02-50/std3 | shape | B3 | Efficiency | 87.1 | 88 | 87.5 | PD ² impeller 0.7 kgm ² |
| Rated power | 3.0 [kW] | n° poles | 2 | rpm | 2920 | Load | 100% 75% 50% | PD ² needed 0.71 kgm ² |
| | | | | | | | | PD ² motor 2.5 kgm ² |
| ErP 2009/125/CE Regulament (UE) N. 327/2011 | | | | Notes | | | | |
| Efficiency grade | 64 | | | N | 74.7 | Total efficiency | 69.25 | % |
| Impeller type | backward blades | Type of test | B/total | Flow rate | 3172.5 [m3/h] | Pressure | 2297 [Pa] | |
| NOTE | | | | Performance on Outlet RM 400R/2-I - E04 - D=0.39[m] - ρ=1.204[kg/m³] - T=20[°C] - 0[m]a.s.l. | | | | |
| Rpm Limit | <=60 °C: 3950 Rpm | | | | | | | |
| | | | | | | | | |
| values of the noise of fan obtained in ambient not reverberant with inlet and outlet ducts fully insulated | | | | | | | | |

TECHNICAL DATA SHEET

RADIAL FAN nr. AFGG-20_07



G&G filtration CZ, s.r.o.

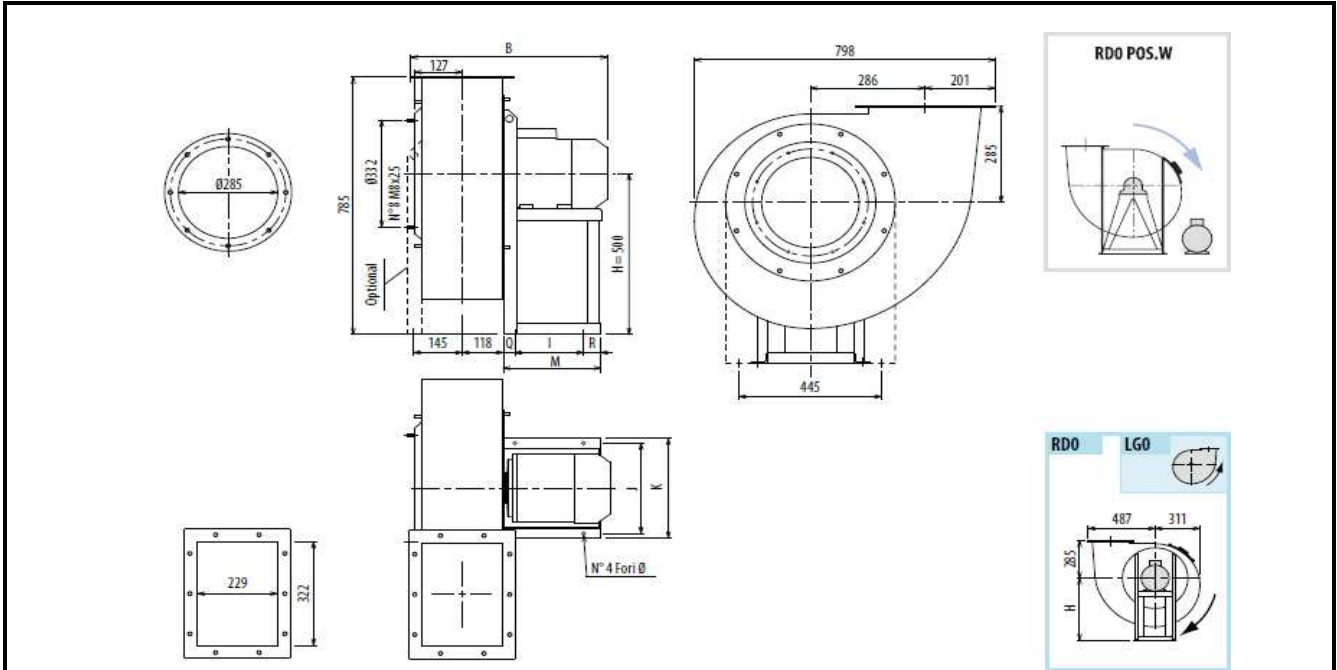
A Hrubínova 1903/9, 66451 Šlapanice, CZ

IČ 05226953 IČ DPH CZ05226953

E info@ggf.cz W www.ggf.cz

ITEM1

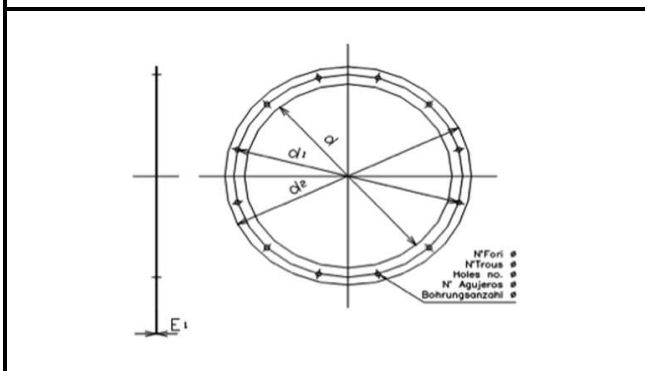
Document printed by Aeraulica - Dimensions and performances can be changed without prior notice



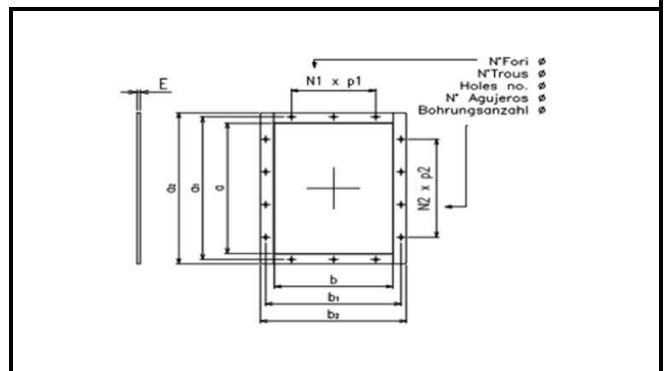
Indicative measures in the standard configuration. For detailed information contact your reference.

Indicative value of weight including standard motor.

| B | I | H | H1 | H2 | J | K | Q | R | M | Φ | PD2 | kg |
|-----|-----|-----|-----|-----|-----|-----|----|----|-----|----|-----|----|
| 585 | 197 | 500 | 285 | 500 | 289 | 324 | 34 | 52 | 283 | 12 | 0,7 | 85 |



| Cod | dxn° | d1 | d2 | Φ | E1 |
|--------|-------|-----|-----|----|----|
| 0285 A | 285x8 | 332 | 365 | 12 | 4 |



| Cod | axb | a1 | b1 | a2 | b2 |
|-----------|---------|-----|-----|-----|-----|
| 0322x0229 | 322x229 | 366 | 273 | 402 | 309 |

| N1xp | N2xp | n° | Φ | E |
|-------|-------|----|----|---|
| 1x125 | 2x125 | 10 | 12 | 4 |